



Tristar - the new lowshot dolly from Panther.

After over 25 years of experience in designing and manufacturing electromechanic dollies, Panther is introducing a new generation of cameradollies on the market.

The Panther Tristar Dolly

A new dolly generation.



The Panther Tristar Dolly

With its unique 3 column system, the Tristar is worldwide the lowest column dolly.



The lowest start position

Realise low camera positions without any conversion.

A new period of working time efficiency and effectivity with a cameradolly has begun.

Certainly he can also raise high. From near ground level to 2 metre.



Always on eye level

Camera movements from a sitting to a standing person are possible without any conversion of the dolly.

Tristar realises a central camera position on eye level. Hereby, there is no modification necessary.

You don't need any additional accessories as in, side bowl or a low rig.



The 3 column system

Tristar is equipped with a completely new developed 3 column system.

This system realises an extremely low starting position. Background is the patent pending technology of maintenance-free guide rails with purpose-built guide-rail-bearings.

A system which has proven its durability for over 25 years. The guide rails of the Tristar are placed on the inside of the column for protection.



The High-Low Turnstile

Tristar is equipped with an additional innovative Panther product. The new High-Low Turnstile.

With only a few simple steps from the standard position to a low shot position or a high position (Bazooka) without removing the Fluid Head or the camera.



Tube extension, tube connector and the 80 mm clamping ring can be stored on the wheelarm.

Easy handling, no single parts

Save accessories, for example brackets, short and long offset bowls, Bazookas and low rigs. The transport of the above mentioned accessories is not necessary.

The optional accessories can be stored in a parking position on the dolly.



Flexibel in use. The High-Low Turnstile in a sidebowl position.

Integrated tool

The adjustment tool, an Allen Key plus the flat clamp screw for fluid heads, are in an integrated parking position on the High-Low Turnstile.

Euro Mount



Gain height. With only a few simple steps the seat moves on top.

The High-Low Turnstile can also be used in the well known „old“ configuration.

The seatarm is rotatable and lockable. The seat can be mounted under or over the seatarm.



U-Bangi II



Vario Jib

Maximum compatibility

The Tristar and the High-Low Turnstile can be combined with the current accessories, as in U-Bangi the Vario Jib or the Lightarm Jib.



Locks every 22,5 degree



360 degree rotations possible



Mitchell leveller

Maximum flexibility

The bowl or Mitchell plate, which is mounted on the High-Low Turnstile can be locked in 16 different tilt angles (every 22,5 degree).

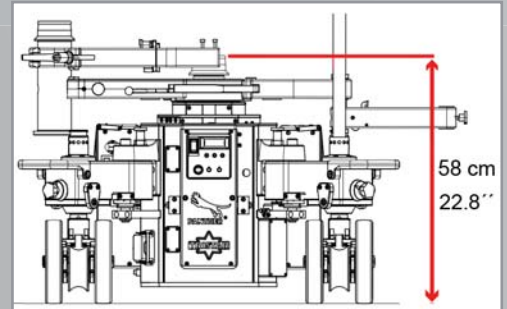
Product's advantage:



- Lowest column dolly worldwide (lowest start position)
- Equipped with the new High-Low Turnstile
- Unique 3 column system

Technical specifications:

Columns:	3
Speed levels:	4
Payload:	150 kg / 330 lbs
Ramps:	hard - medium - soft
3 steering options:	front - rear - crab
Snap on batteries:	2 x DC 24V / 12 Ah Panther standard batteries
Minimum height:	58 cm / 22.8"
Lift:	62 cm / 24.4"
Track gauge:	36 cm / 14"
	62 cm / 24.5"
Ground clearance:	4 cm / 1.6"



Lear more about the Panther Tristar Dolly by visiting our webside at www.panther.tv

PANTHER GmbH
Raiffeisenallee 3 | 82041 Oberhaching - Munich
Germany
T +49.89.61 39 00 01 | F +49.89.61 31 00 0
contact@panther.tv | www.panther.tv

